

## uni folding table

The Uni Folding Table is perfect for stylish conference or training rooms where flexibility is called for: The clever folding mechanism transforms the original Uni Standard Desk into an easy-to-stow and flexible table.

The table top in warm birch, smoked oak veneer, synthetic resin or linoleum creates a beautiful contrast to the metal base, whose slender and elegant steel profiles are available with a finish in matt chrome, with a black powder coating or in dark bronze.

The visible structure highlights the functional aesthetics of this surprisingly light table. It can be positioned at two different heights of 69 and 74 centimetres.

The high-quality workmanship of this multifunctional piece is very pleasing to the eye.



✕

info@atelieraline.ch atelieraline.ch

✕

✕

atelier ALINEA UNIKLAPPTISCH © 2020

✕



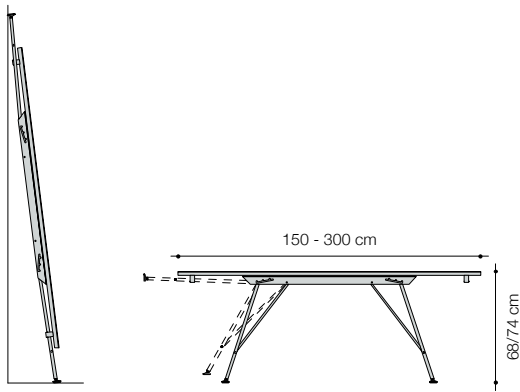
uni folding table

atelier  
ALINEA



atelier

ALINEA



## uni folding table

### Dimensions

**Typ 1:** 150 x 74 x H. 73 cm / 180 x 74 x H. 73 cm / 200 x 74 x H. 73 cm / 250 x 74 x H. 73 / 300 x 74 x H. 73 cm

**Typ 2:** 150 x 90 x H. 73 cm / 180 x 90 x H. 73 cm / 200 x 90 x H. 73 cm / 250 x 90 x H. 73 / 300 x 90 x H. 73 cm

Special dimensions on request.

### Technical information

**Frame:** Steel profile, mat chromed, enamel coated in black or dark bronze, with levelling feet.

**Desktop:** Birch plywood, clear varnished, black stained, with linoleum, laminate or fumed oak.

Other veneers on request.

Cable duct on request.

