

uni standing desk

Take a stand! Our Uni Standing Desk serves as a small desk or lectern and looks good both in your office and in a lecture hall.

The table top can be tilted steplessly at every angle. Just like the Uni Standard Desk, the Uni Standing Desk features a trapezoidal sheet of aluminium mounted between two thin panels of birch wood veneer. Other wood veneers are available on request.

The Standing Desk can easily be folded for transport, and a lid can be supplied on request.

Flexible, light and elegant, the Uni Standing Desk is a pleasure to use and an asset to every room.



×

info@atelieralineia.ch | atelieralineia.ch

×

×

atelier ALINEA | UNISTEHPULT © 2020

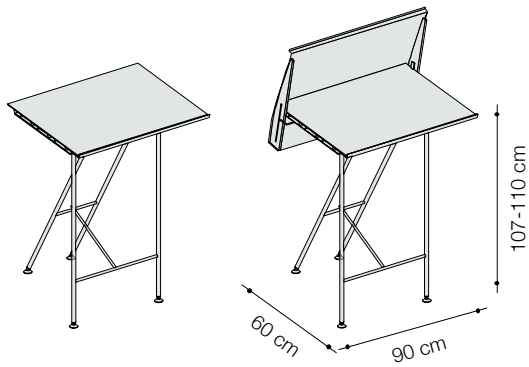
×



uni standing desk

atelier
ALINEA





uni standing desk

Dimensions

90 x 60 x H. 107 - 110 cm

Technical information

Frame: Matt chromed steel tubes, with levelling feet.

Plate: Aluwave birch, other woods on request.

Optional lid available.

